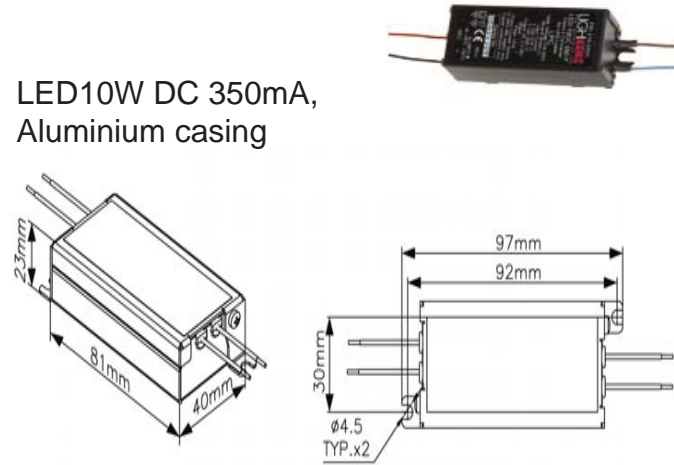


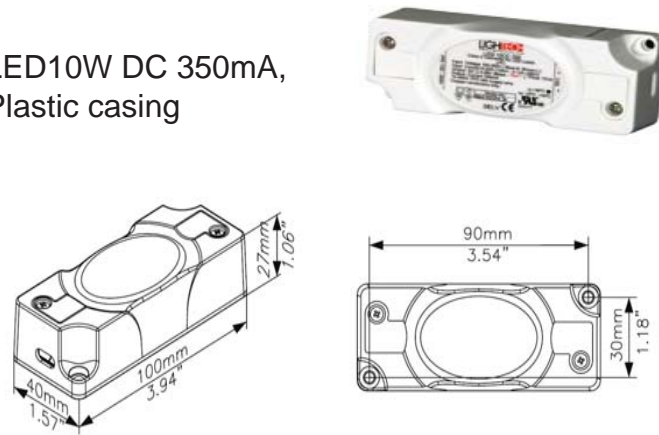
Product code	CEL07391
Type	LED 10W DC 350 mA Aluminium housing
Number of LEDs	1 - 7 (LEDs in series)
Casing	Alumium casing
Dimension (mm)	23 x 40 x 81
Weight	165 g
Tc Max	90° C
Connection	Output / Input wires
Load	1 -10VA
Input	120-240V 50Hz
Output current	350 mA
Output voltage	2 - 29 V
	IP67
Warranty	4 years
Manufacturer	Lightech

LED10W DC 350mA, Aluminium casing



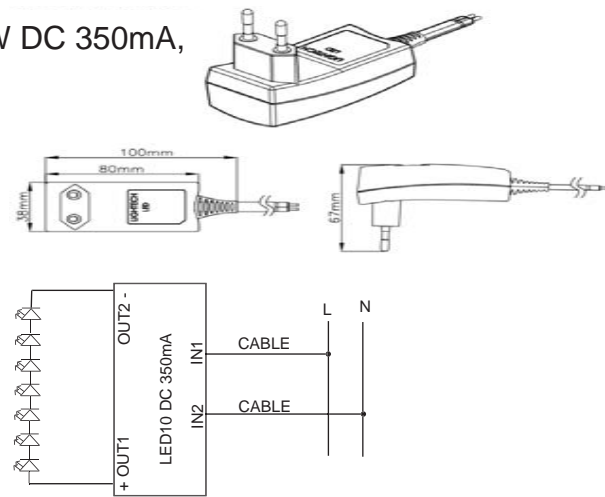
Product code	CEL07392
Type	LED 10W DC 350 mA
Number of LEDs	1 - 7 (LEDs in series)
Casing	Plastic casing
Dimension (mm)	27 x 40 x 100
Weight	90 g
Tc Max	90° C
Connection	Terminal block connection
Load	1 -10VA
Input	120-240V 50Hz
Output current	350 mA
Output voltage	2 - 29 V
Warranty	4 years
Manufacturer	Lightech
	Only inside use

LED10W DC 350mA, Plastic casing



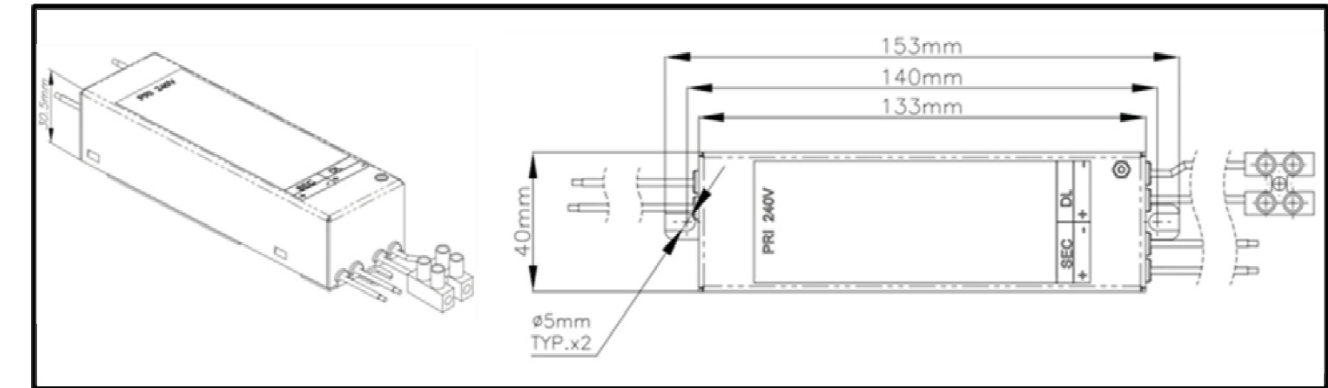
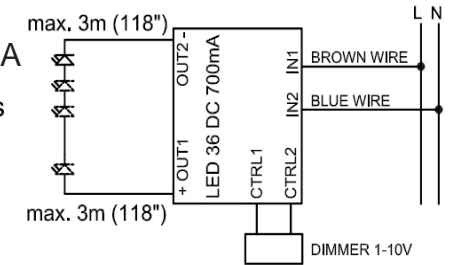
Product code	CEL07393
Type	LED 10W DC 350 mA Plug-in
Number of LEDs	1 - 7 (LEDs in series)
Casing	Plastic casing (silver)
Dimension (mm)	33 x 38 x 80
Weight	150 g
Tc Max	90° C
Connection	Output 1,5 m double insulated wire
Load	1 -10VA
Input	95-265V 50Hz
Output current	350 mA
Output voltage	2 - 28 V
Warranty	4 years
Manufacturer	Lightech

LED10W DC 350mA, Plug-In



Product code	CEL10041
Type	LED 18W DC 350 mA Aluminium housing
Number of LEDs	4 - 12 (LEDs in series)
Dimming	1 - 10 V Dimming control
Casing	Aluminium casing
Dimension (mm)	30,5 x 40 x 133
Weight	300 g
Tc Max	90° C
Connection	Output / Input wires
Input	240V 50Hz
Output current	350 mA
Output voltage	8 - 48 V
	IP67
Warranty	4 years
Manufacturer	Lightech

LED18W DC 350mA  
From 4 to 12 leds in series.



Product code	CEL10042
Type	LED 36W DC 700 mA Aluminium housing
Number of LEDs	4 - 12 LEDs in series
Dimming	1 - 10 V Dimming control
Casing	Aluminium casing
Dimension (mm)	30,5 x 40 x 133
Weight	300 g
Tc Max	90° C
Connection	Output / Input wires
Input	240V 50Hz
Output current	700 mA (4 - 12 LEDs)
Output voltage	8 - 48 V
	IP67
Warranty	4 years
Manufacturer	Lightech

LED36W DC 700mA

LED 700mA  
From 4 to 12 leds in series.

