

Led Twist -clip light

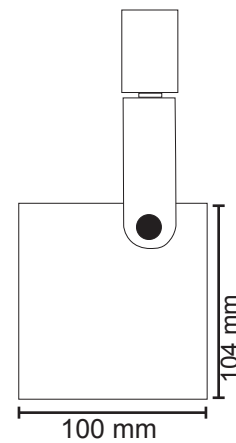
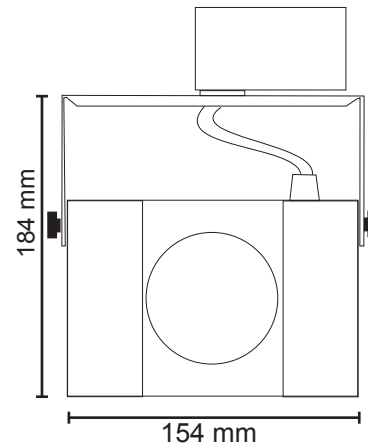


We reserve the right
to make changes to
our products.

Candee L.

Made in Finland
www.candeeeffect.com

Clip light



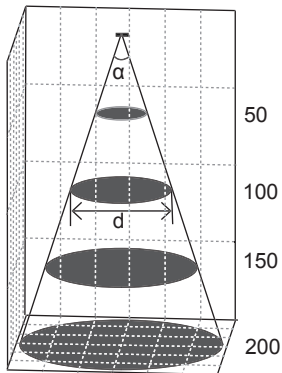
Frame	Painted aluminum (white)
Power	230 VAC, 50 Hz
Operating temperature	0 °C - + 60 °C
Life time	50.000 h with a 30 % decrease in luminous flux
Warranty	Light unit: 6 years
Weight	1,1 kg

Made in Finland

www.candeeffect.com

Candee E.

We reserve the right to make changes to our products.



827 / 2700K	Beam angle 64 °	CRI 80
Distance (cm)	Illuminance maximum (lx)	Beam width (d)
50 cm	1052	70 cm
100 cm	282	125 cm
150 cm	126	190 cm
200 cm	74	260 cm

840 / 4000K	Beam angle 64 °	CRI 80
Distance (cm)	Illuminance maximum (lx)	Beam width (d)
50 cm	1185	70 cm
100 cm	314	125 cm
150 cm	142	190 cm
200 cm	83	260 cm

830 / 3000K	Beam angle 64 °	CRI 80
Distance (cm)	Illuminance maximum (lx)	Beam width (d)
50 cm	1153	70 cm
100 cm	316	125 cm
150 cm	140	190 cm
200 cm	80	260 cm

	Luminous flux of the light source
827 / 2700K	1040 lm
830 / 3000K	1100 lm
840 / 4000K	1100 lm

Led Clip light Twist

Body Twist

Product code	Model	Frame	Colour
CEL440 702 010	Led Clip light Twist 1~	Aluminum	white
CEL440 704 010	Led Clip light Twist 3~	Aluminum	white

Led light source Twist

Product code	Model	W	K	Led
CEL340 827 000	Led light source Twist 827 / 2700K	20	2700	Rebel
CEL340 830 000	Led light source Twist 830 / 3000K	20	3000	Rebel
CEL340 840 000	Led light source Twist 840 / 4000K	18	4000	Rebel



Manufacturer:
Savled /Diranet Oy
Laitaatsillantie 3
57170 SAVONLINNA
FINLAND
Tel. +358 15 555 0031

Made in Finland

www.candeeffect.com

Candee E.

We reserve the right
to make changes to
our products.